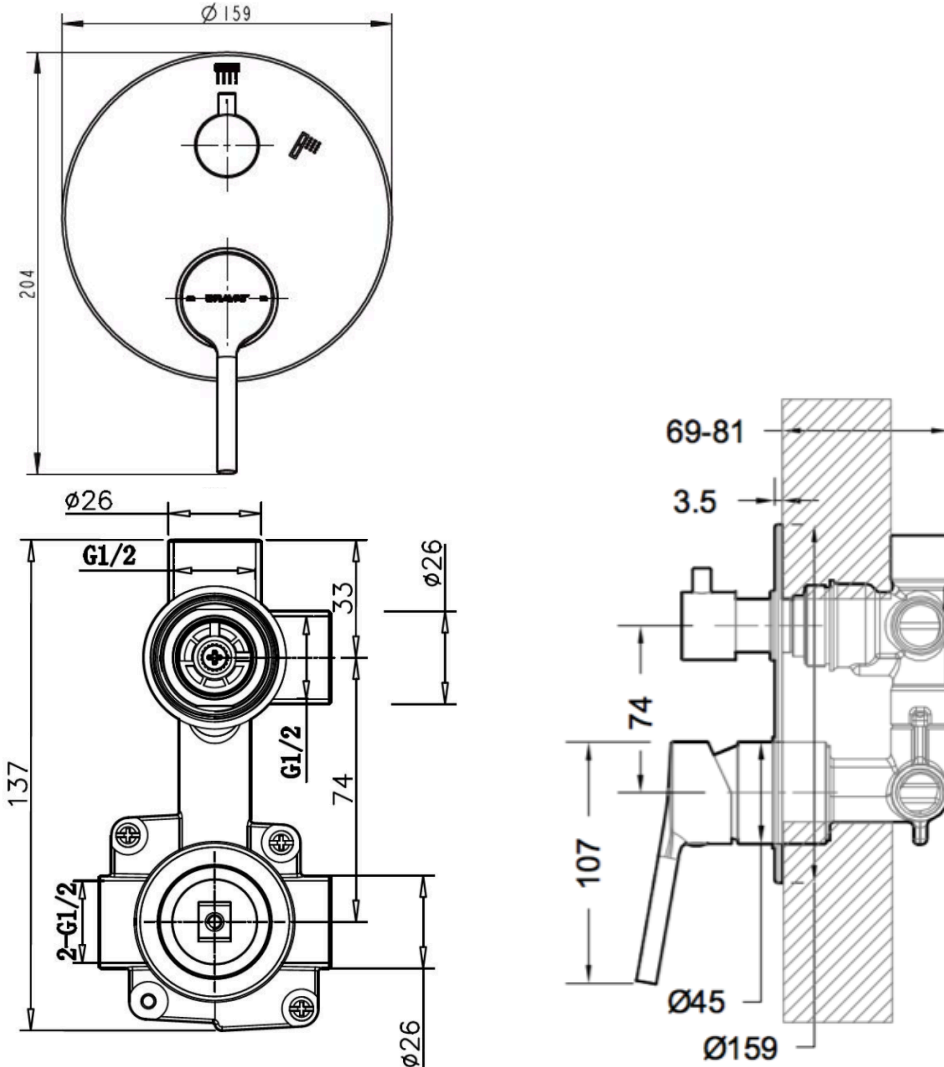


# BRAVAT

BY DIETSCHKE  1873

## AF-3000BN Shower Mixer with Diverter



**FINISH:** Brushed Nickel

**CONSTRUCTION:** Super Brass

**CARTRIDGE:** 35mm Ceramic

**CONNECTION:** 1/2" BSP Female

**WORKING PRESSURES:** 150 - 500 Kpa

**OPERATING TEMPERATURE:** 5°C - 70°C

**Warranty:** 15 Years Warranty & Lifetime on cartridge\* (Terms & Conditions Apply)



**Bravat Care:** For all domestic tap ware products include a 5 Year Parts and Labour warranty & Lifetime on Cartridge replacement\* (Terms & Conditions Apply)

BRAVAT Global 1800 272 828 | [info@bravataustralia.com.au](mailto:info@bravataustralia.com.au)